

Infinity Project SD Memory for GLCD

Written by Antonio Alfinito

Monday, 28 July 2014 15:42 - Last Updated Monday, 28 July 2014 16:14

Infinity Project

an additional memory for GLCD

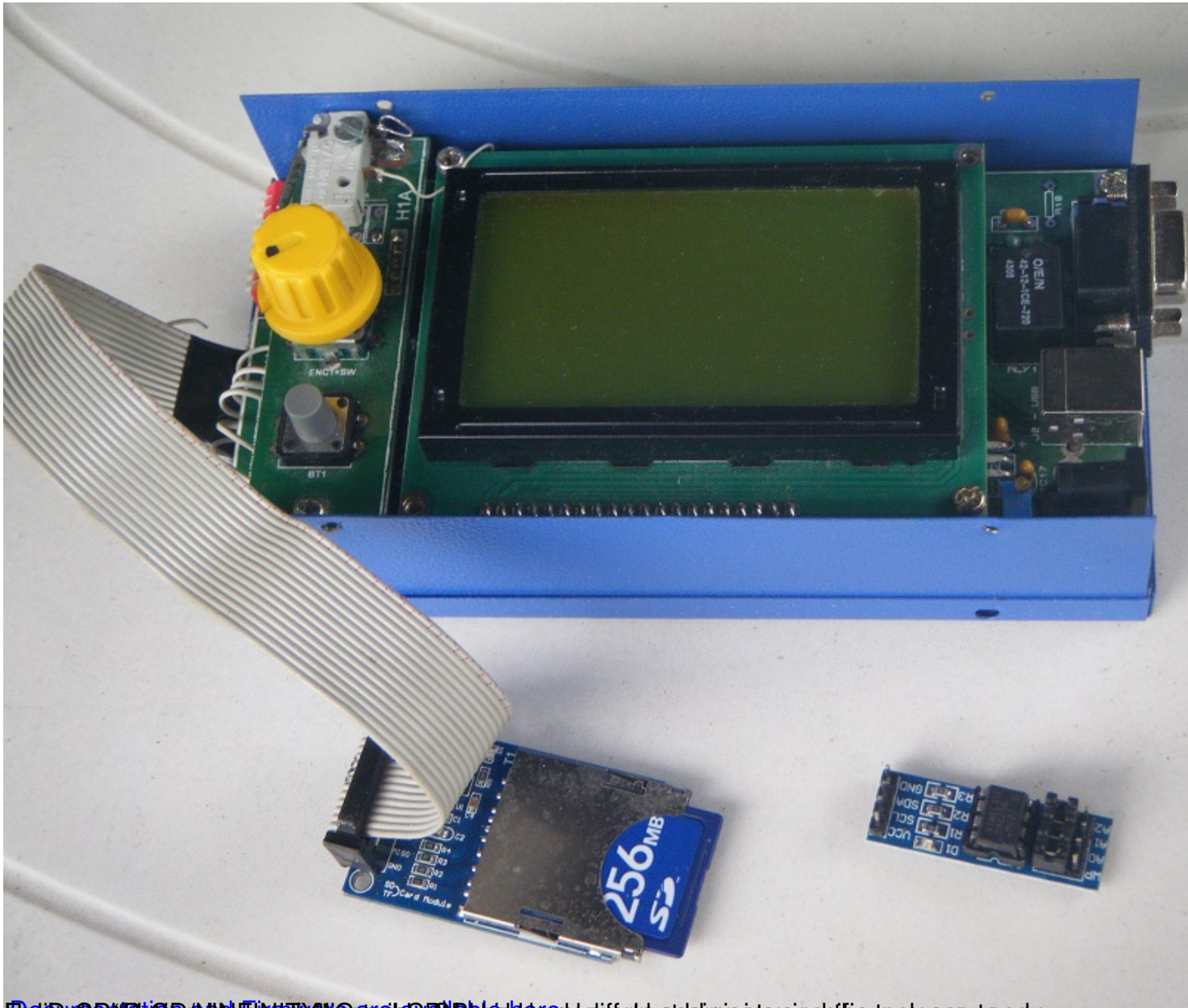
where to store programs

[This is a project by FoxDelta Project Team](#)

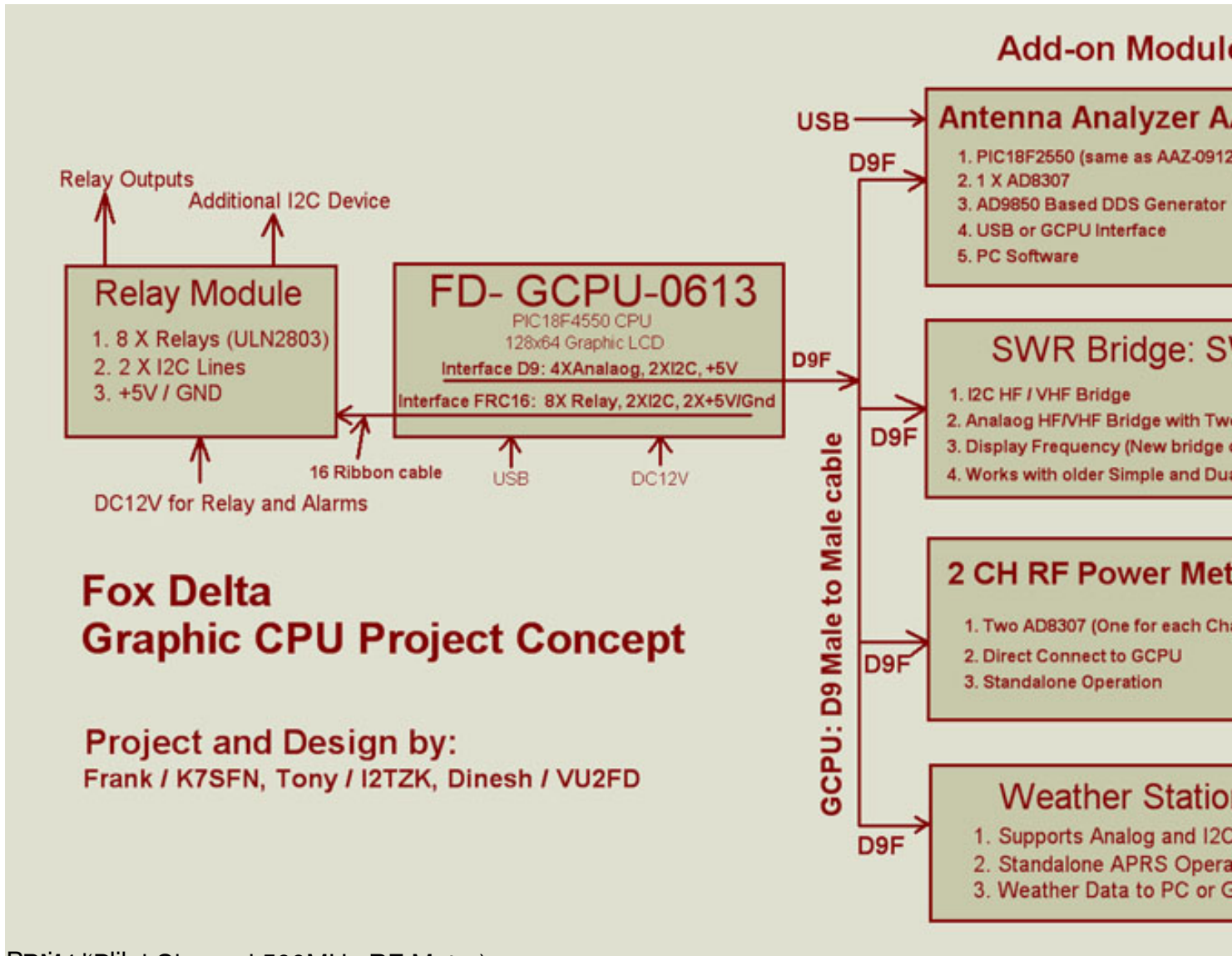
Infinity Project SD Memory for GLCD

Written by Antonio Alfinito

Monday, 28 July 2014 15:42 - Last Updated Monday, 28 July 2014 16:14



[Arduino Project: SD with FT232RL, Crystal, USB, Display and more components specific purpose uses](#)



Fox Delta Graphic CPU Project Concept

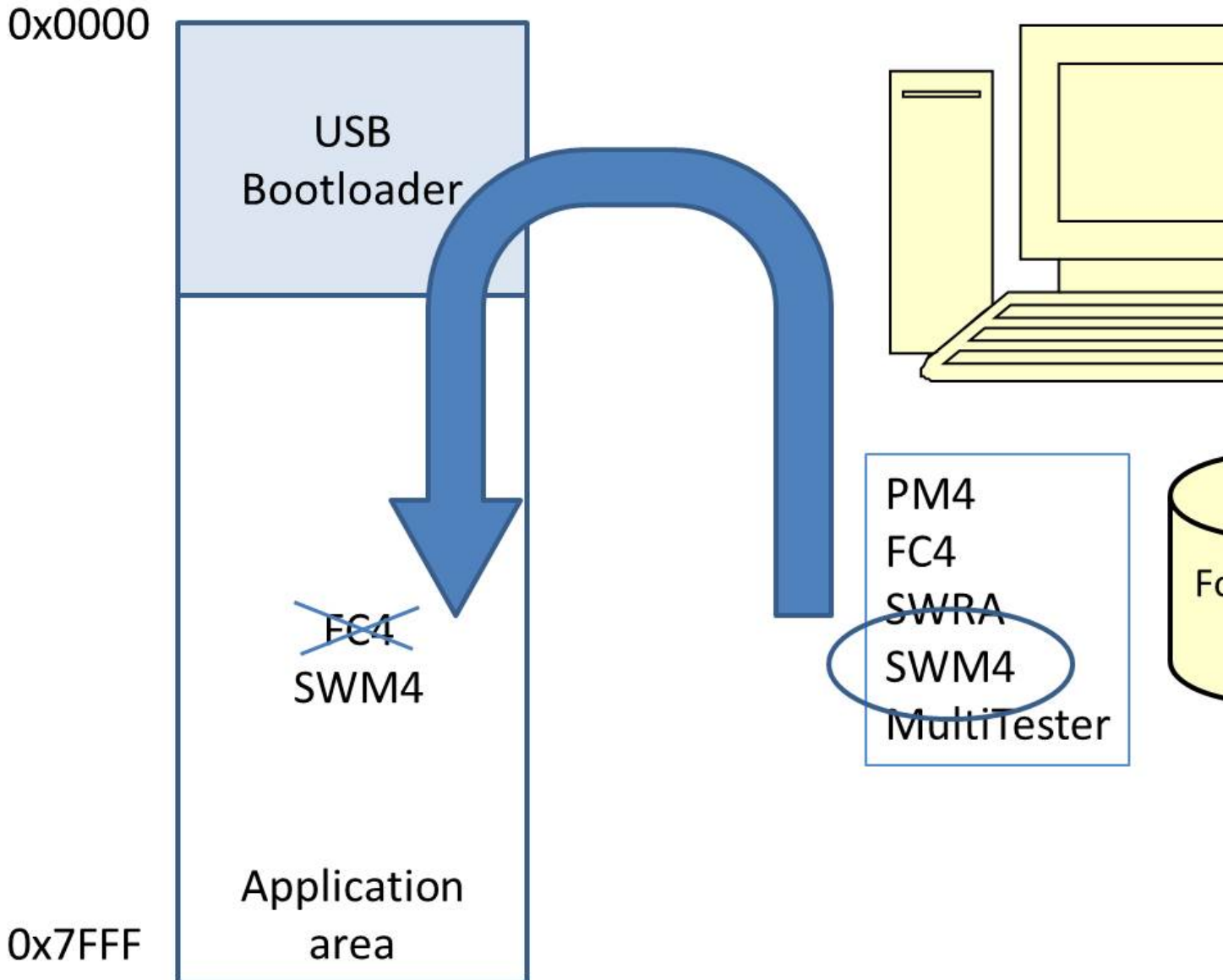
Project and Design by:
Frank / K7SFN, Tony / I2TZK, Dinesh / VU2FD

Printed Circuit Board (PCB) Design and Assembly Services for RF Modules, SWR Meters, Antennas, and Weather Stations. Project: INFINITY's Graphic CPU. The project is a software-defined radio (SDR) system that can be used for a variety of applications, including amateur radio, emergency services, and weather monitoring. The system is based on the PIC18F4550 microcontroller and the AD9850 DDS generator. It features a 128x64 LCD display and a USB interface for data transfer. The system is designed to be modular, allowing for the addition of various add-on modules. The add-on modules include an antenna analyzer, an SWR bridge, a 2-channel RF power meter, and a weather station. The system is powered by a DC12V supply and has a USB port for data transfer. The system is designed to be easy to use and to provide accurate measurements. The system is also designed to be reliable and to have a long lifespan. The system is a great choice for anyone who is interested in SDR technology and who wants to build a custom SDR system.

Infinity Project SD Memory for GLCD

Written by Antonio Alfinito

Monday, 28 July 2014 15:42 - Last Updated Monday, 28 July 2014 16:14

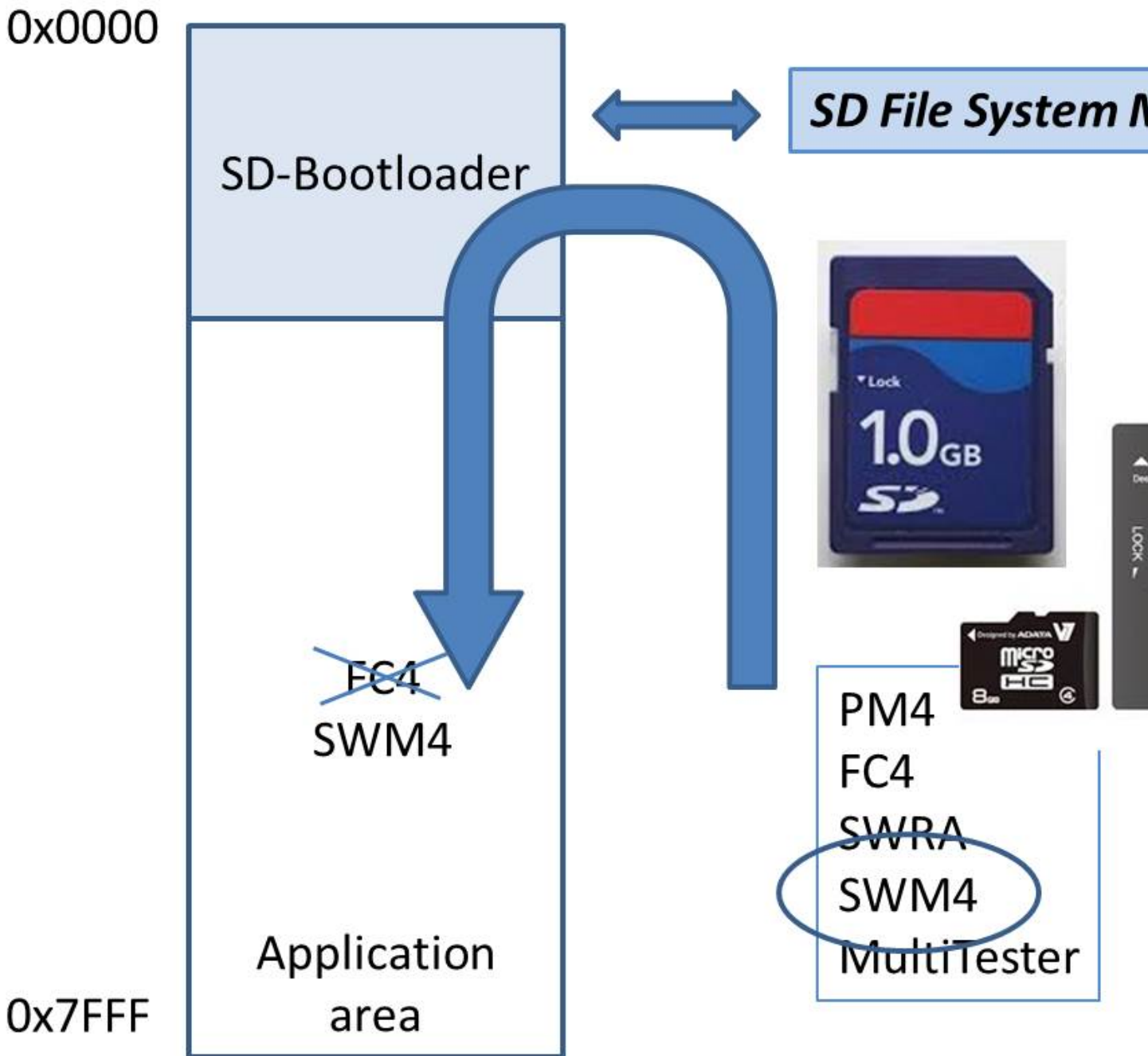


The PC is used to write the "Bootloader" into the SD card. The PC also uses the "MultiTester" to write the "Application" into the SD card. The "MultiTester" is used to write the "Application" into the SD card. The "MultiTester" is used to write the "Application" into the SD card.

Infinity Project SD Memory for GLCD

Written by Antonio Alfinito

Monday, 28 July 2014 15:42 - Last Updated Monday, 28 July 2014 16:14

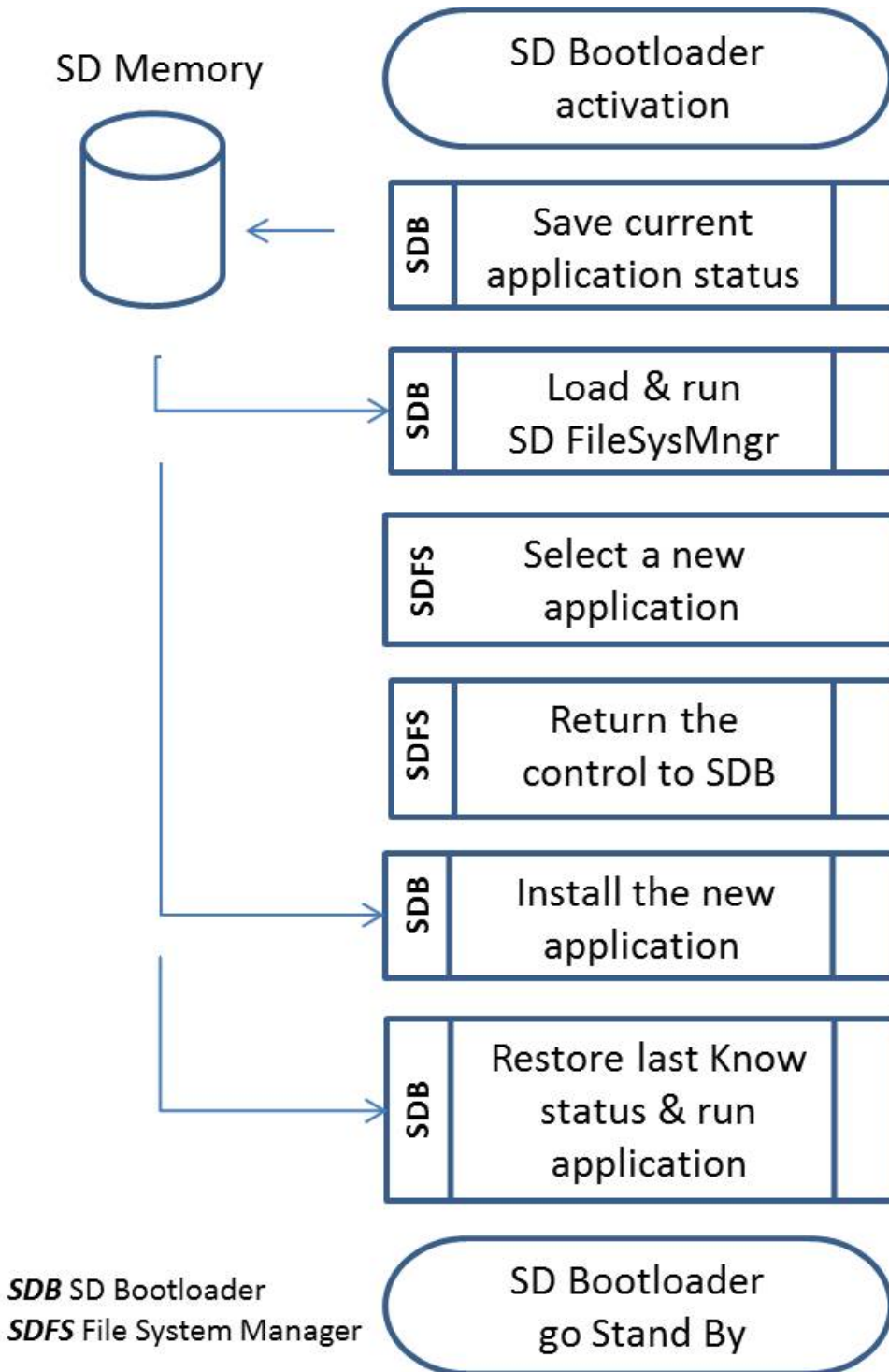


The SD-Bootloader and the SD File System M are the only components that can be loaded from the SD card. The SD File System M is the only component that can be loaded from the SD card. The SD File System M is the only component that can be loaded from the SD card.

Infinity Project SD Memory for GLCD

Written by Antonio Alfinito

Monday, 28 July 2014 15:42 - Last Updated Monday, 28 July 2014 16:14



[This is a project by FoxDelta Project Team](#)